

Stamisol® – Connection details

Wall connection on different base materials.

Tender text reference

Pos. 785.300–312

Installation instructions

For a watertight mural connection, use Stamisol® DW or the Stamisol® connection strip, which should be glued to the base materials using the contact gluing method. The waterproofing process can be carried out, for example, with Sikaflex 11FC. If necessary, fix the ABS / SD 70 vapour breaks using strips of butyl rubber or possibly Sikaflex 11FC.

Stamisol® connections for sheet metal

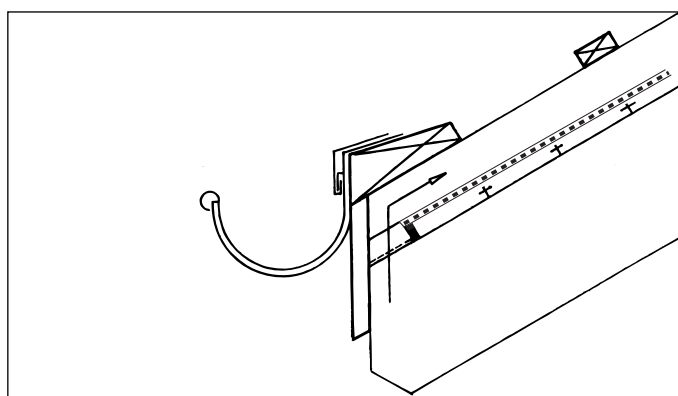
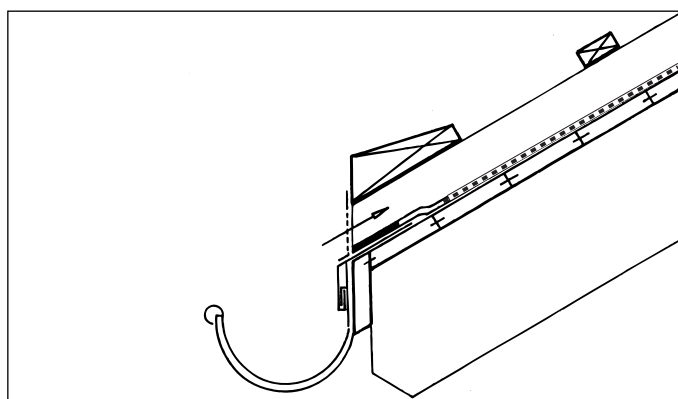
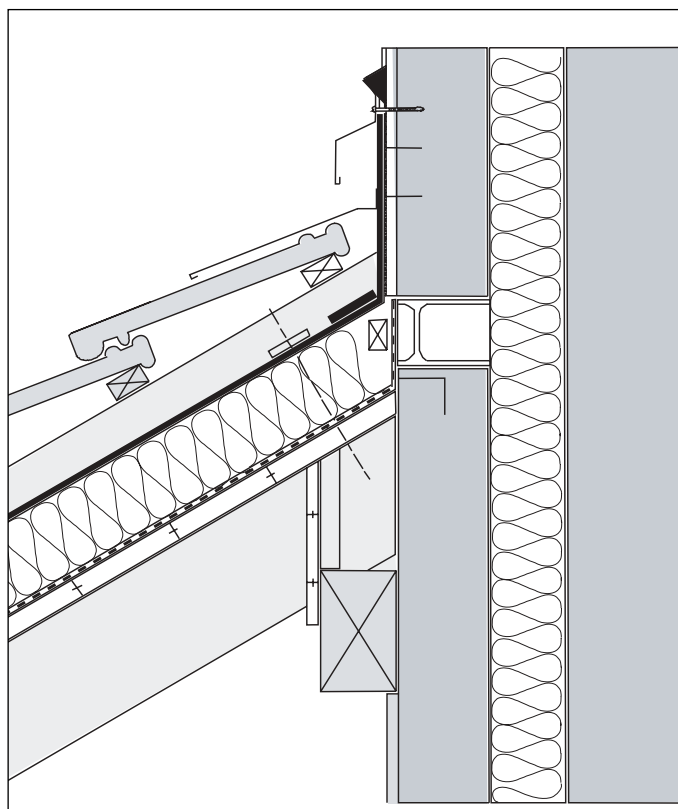
Installation instructions

The gutter connection panels and steel sheets must be cleaned and degreased.

Apply the Stamisol® glue to the two sections, the Stamisol® under-roofing strip and the steel sheet. Allow to dry (contact gluing).

Sikaflex 11FC can be used to make the seal watertight. Sikaflex 11FC adheres extremely well to most base materials and is easy to manipulate when used with the Stamisol® under-roofing materials.

The Sikaflex 11FC installation specifications must be respected.



Planning and execution: according to SIA 238
New SIA 232