

Stamisol® – instructions for the gutter connection

1. Interior covering with various materials

Space for the electricity cable channels

2. Stamisol® ABS or SD 70

The overlaps and connections should be glued using the Stamisol® self-adhesive strips so that the air seal is tight.

3. Insulation

4. Stamisol® DW on copper or zinc sheets. Glue the connections with Sikaflex 11FC

5. Base of the gutter with flow-back sheet and air in-take

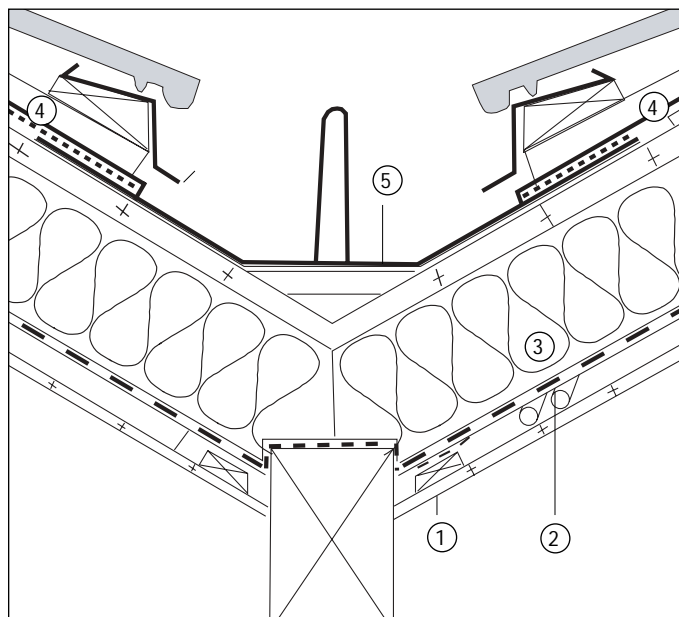
Installation instructions

Clean and degrease the base sheet whilst at the same time roughening it up a little.

Prime with Sika Primer 35. Spread Sikaflex 11FC over an area approximately 3 to 4 cm wide and then glue to the Stamisol® under-roofing strip.

Sikaflex 11FC adheres extremely well to most base materials and is easy to manipulate when used with Stamisol® DW.

The Sikaflex 11FC installation specifications must be respected. (Primer SP 35).



**Planning and execution: according to SIA 238
New SIA 232**